

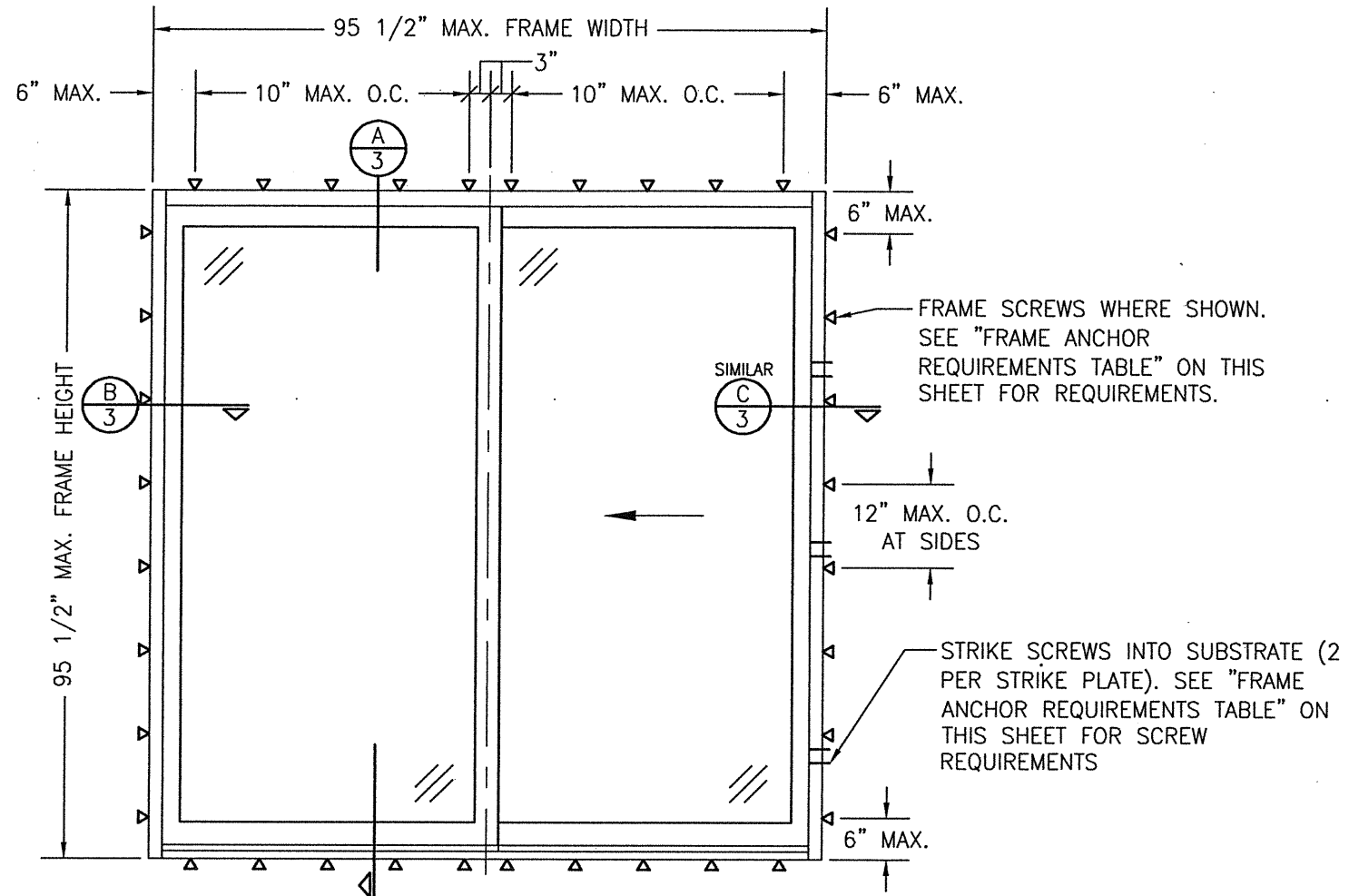
**GENERAL NOTES:**

1. ALL FASTENERS SHALL BE IN ACCORDANCE WITH THESE DRAWINGS. SPECIFIED ANCHOR EMBED TO BASE MATERIAL SHALL BE BEYOND WALL FINISH OR STUCCO.
2. OPENINGS, BUCKING & BUCKING FASTENERS MUST BE PROPERLY DESIGNED & INSTALLED TO TRANSFER WIND LOADS TO THE STRUCTURE.
3. THESE LARGE MISSILE IMPACT RATED PRODUCT INSTALLATIONS ARE IN ACCORDANCE WITH AND MEET THE REQUIREMENTS OF THE FLORIDA BUILDING CODE (FBC).
4. ALL ANCHORS SECURING PRODUCT FRAMES TO PRESSURE TREATED BUCKS OR WOOD FRAMING SHALL BE CAPABLE OF RESISTING CORROSION CAUSED BY THE PRESSURE TREATING CHEMICALS IN THE WOOD.
5. MATERIALS, INCLUDING BUT NOT LIMITED TO STEEL SCREWS, THAT COME INTO CONTACT WITH OTHER DISSIMILAR MATERIALS SHALL MEET THE REQUIREMENTS OF FLORIDA BUILDING CODE CHAPTER 20.
6. TO THE BEST OF OUR KNOWLEDGE, THE PRODUCT SHOWN HEREIN IS CERTIFIED & QUALITY ASSURED BY A FLORIDA STATE APPROVED CERTIFICATION/QA ENTITY & SHALL BE LABELED IN ACCORDANCE WITH THE FBC AND THE FLORIDA DEPARTMENT OF BUSINESS & PROFESSIONAL REGULATION SPECIFICATIONS. PRODUCT ASSEMBLY IS NOT PART OF THIS DRAWING AND SHALL BE IN ACCORDANCE WITH THE MANUFACTURER'S QUALITY ASSURANCE SPECIFICATIONS & TESTING REPORTS.
7. CERTIFICATION OF THESE PRODUCT INSTALLATIONS SHALL BE CONSIDERED VOID IF ANY OF THE FOLLOWING APPLY: 1) PRODUCT IS INSTALLED WITHOUT A BUILDING PERMIT FROM THE APPLICABLE LOCAL BUILDING DEPARTMENT. 2) PRODUCT IS INSTALLED BY ANYONE OTHER THAN A LICENSED CONTRACTOR EXPERIENCED WITH INSTALLATIONS OF THIS TYPE OF PRODUCT. 3) IF CHANGES HAVE OCCURRED TO THE PRODUCT'S CERTIFICATION ENTITY'S CERTIFICATE THAT CAUSE THESE INSTALLATIONS TO BE INCORRECT OR INCONSISTENT WITH WHAT HAS BEEN TESTED.
8. THE LEAST DESIGN PRESSURE SPECIFIED EITHER IN THIS DRAWING OR IN THE PRODUCTS CERTIFICATION SHALL CONTROL FOR THE INSTALLED PRODUCT.
9. THESE DRAWINGS CERTIFY THE PRODUCT INSTALLATION ONLY. WATER PROOFING OF THE INSTALLED PRODUCT IS NOT PART OF THIS INSTALLATION CERTIFICATION. THAT RESPONSIBILITY SHALL BE THAT OF THE MANUFACTURER &/OR INSTALLER.

INSTALLATION EVALUATION IS BASED ON APPLICABLE ANCHOR STANDARDS AND/OR INFORMATION & RESULTS FROM APPLICABLE TEST REPORTS. THE FLORIDA BUILDING CODE VERSION CONSIDERED WITH THE EVALUATION WAS THAT IN FORCE AT THE TIME OF THE EVALUATION. IN THE EVENT OF CODE VERSION CHANGES/UPDATES OR IN THE EVENT THAT NEW OR ADDITIONAL TESTING IS COMPLETED ON THE REFERENCED PRODUCT, PRIOR TO STATING CODE COMPLIANCE WITH THE STATE, THE MANUFACTURER SHALL CONFIRM WITH THE INSTALLATION EVALUATION ENGINEER OF RECORD THAT THE INSTALLATIONS SPECIFIED HERE-IN ARE CURRENT WITH THE THEN CURRENT TESTING, CODE AND APPLICABLE STANDARDS.

**ANCHOR/SUBSTRATE EVALUATION NOTE:**

ALL ANCHORS IN THEIR SPECIFIED SUBSTRATES HAVE BEEN ANALYZED IN ACCORDANCE WITH THEIR APPLICABLE STANDARD(S) AND ARE FOUND TO BE CAPABLE OF SUPPORTING ALL LOADS IMPOSED ON THEM UNDER THE GUIDELINES OF THIS DOCUMENT. ANY SUBSTRATES OR CONDITIONS OUTSIDE OF WHAT IS SHOWN HERE-IN SHALL BE SUBJECT TO JOB SPECIFIC ENGINEER'S REVIEW & CERTIFICATION.



**EXTERIOR ELEVATION:  
2 PANEL OX OR XO DOOR**  
SCALE: 1/2" = 1'-0"

**ALLOWABLE DESIGN PRESSURE  
(2-PANEL DOOR)**  
+/-50 PSF

**FRAME ANCHOR REQUIREMENTS TABLE**

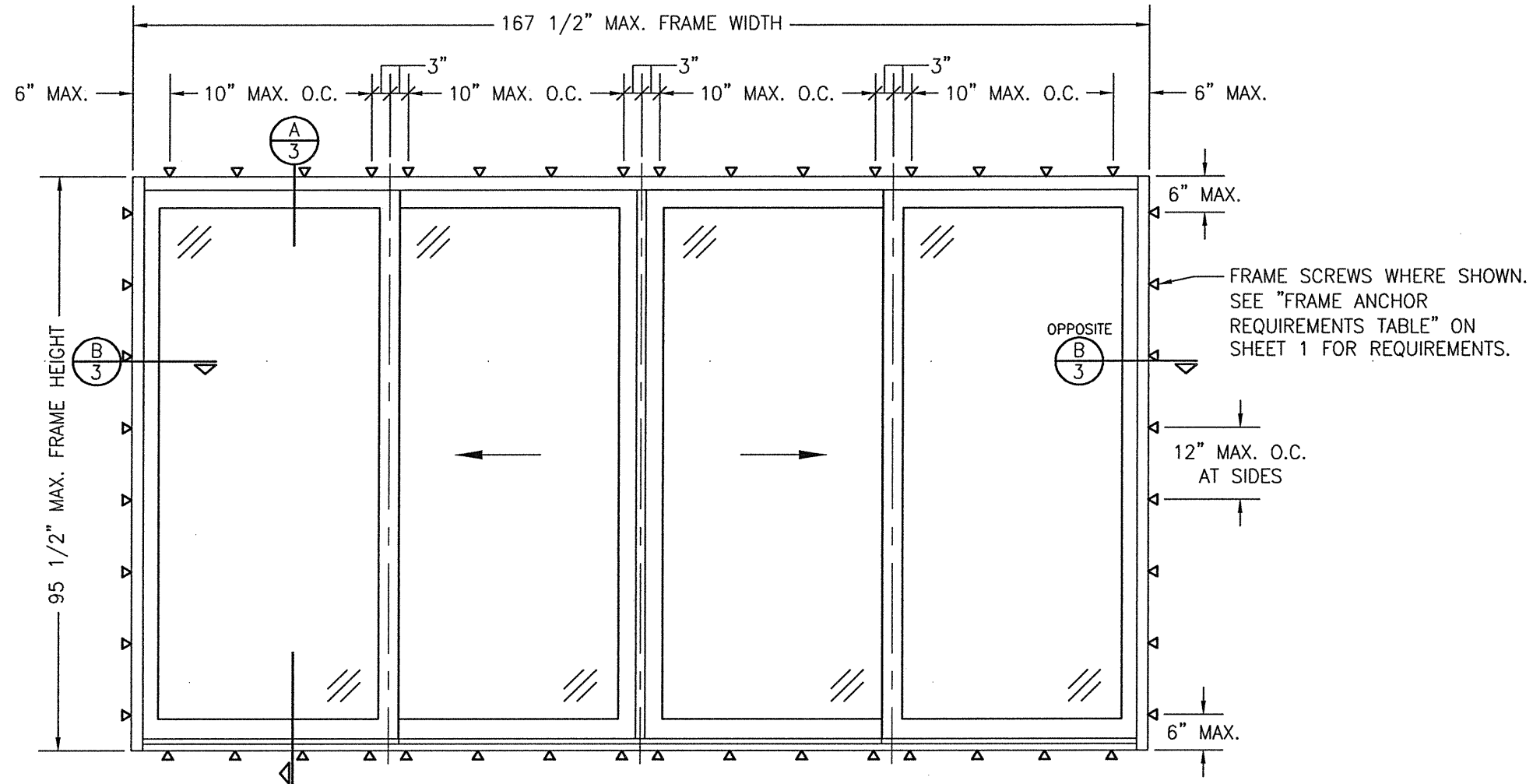
OPENING TYPE (SUBSTRATE)	FRAME/CLIP/NAIL FIN TO OPENING FASTENER TYPE	MINIMUM EMBED	MINIMUM EDGE DIST.
<b>FRAME &amp; JAMB STRIKE SCREWS</b>			
MIN. 2X6 WOOD FRAME OR BUCK (MIN. GR. 3 & G=0.55)	NO. 10 SMS OR WOOD SCREW	1 1/4"	3/4"
MIN. 18 GA. 33 KSI METAL STUD	NO. 10 GR. 5 SELF TAP/DRILL SCREW	FULL	1/2"
MIN. 1/8" THK A36 STEEL	NO. 10 GR. 5 SELF TAP/DRILL SCREW	FULL	1/2"
MIN. 1/8" THK 6063-T5 ALUM.	NO. 10 GR. 5 SELF TAP/DRILL SCREW	FULL	1/2"
MIN. C-90 CMU	(1) 1/4" CONCRETE SCREW	1 1/4"	2"
MIN. 2500 PSI CONCRETE	(1) 1/4" CONCRETE SCREW	1 1/2"	2"

- (1) CONCRETE SCREWS SHALL BE ELCO ULTRACONS (C.S.), ELCO CRETE-FLEX (S.S.), ITW RAMSET/RED HEAD TAPCONS (C.S. OR S.S.) OR HILTI KWIK-CON II (C.S OR S.S.).
- (2) 2X6 BUCKS SHALL BE OF A MINIMUM DEPTH REQUIRED TO MEET ANCHOR EDGE DISTANCE REQUIREMENTS BUT NO LESS THAN 4 1/4".

CONDITIONS SHOWN IN THIS DRAWING ARE GOVERNED BY INSTALLATION REQUIREMENTS ONLY. THE GOVERNING CONDITIONS ON ANY SPECIFIC PRODUCT SHALL BE THE LESSER OF THOSE SPECIFIED IN THE PRODUCTS STATE APPROVAL OR THAT SHOWN IN THESE DRAWINGS.

THESE DRAWINGS ARE APPLICABLE ONLY TO THE PRODUCT SPECIFIED. THEY MAY NOT BE USED FOR THE ASSEMBLY AND/OR INSTALLATION OF ANY OTHER PRODUCT NOR MAY THEY BE USED FOR RATIONAL AND/OR LOCAL APPROVAL OF ANY PRODUCT NOT PRODUCED BY THE MANUFACTURER STATED ON THESE DRAWINGS.

DRAWN BY: W.W.S.	CHECKED BY: W.W.S.	PLOT: 1=24	DATE: 01/26/22
DATE	BY	REVISION DESCRIPTION	NO.
<b>FORGENT SERIES IMPACT SLIDING PATIO DOORS</b> JOB INFORMATION: <b>KOLBE WINDOWS &amp; DOORS</b> 1211 DEPOT STREET MANAWA, WI 54949 (920) 596-2501			
CONSULTANTS <b>W. W. SCHAEFER ENGINEERING &amp; CONSULTING, P.A. (CA 6809)</b> 7480 150TH COURT NORTH PALM BEACH GARDENS, FL 33418 PHONE: 561-744-3424		DRAWING TITLE <b>FORGENT SERIES IMPACT SLIDING PATIO DOORS</b>	
CERTIFICATION  <b>WARREN W. SCHAEFER</b> P.E. NO. 44135		DRAWING NO. <b>2007A</b> SHEET NO. <b>1</b> OF <b>3</b>	



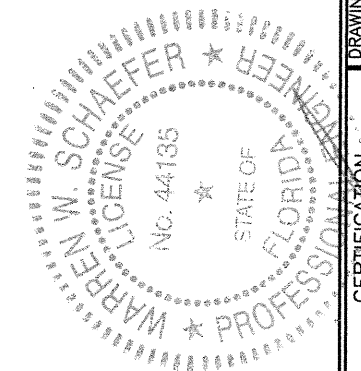
**EXTERIOR ELEVATION:  
4 PANEL OXO DOOR**

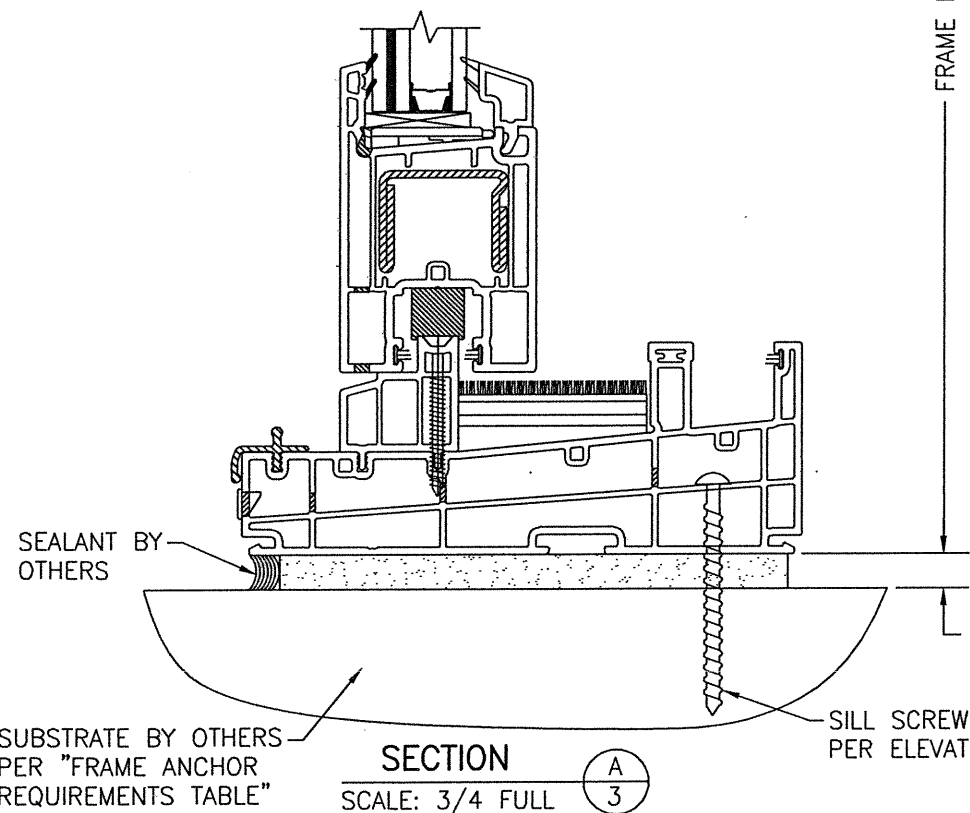
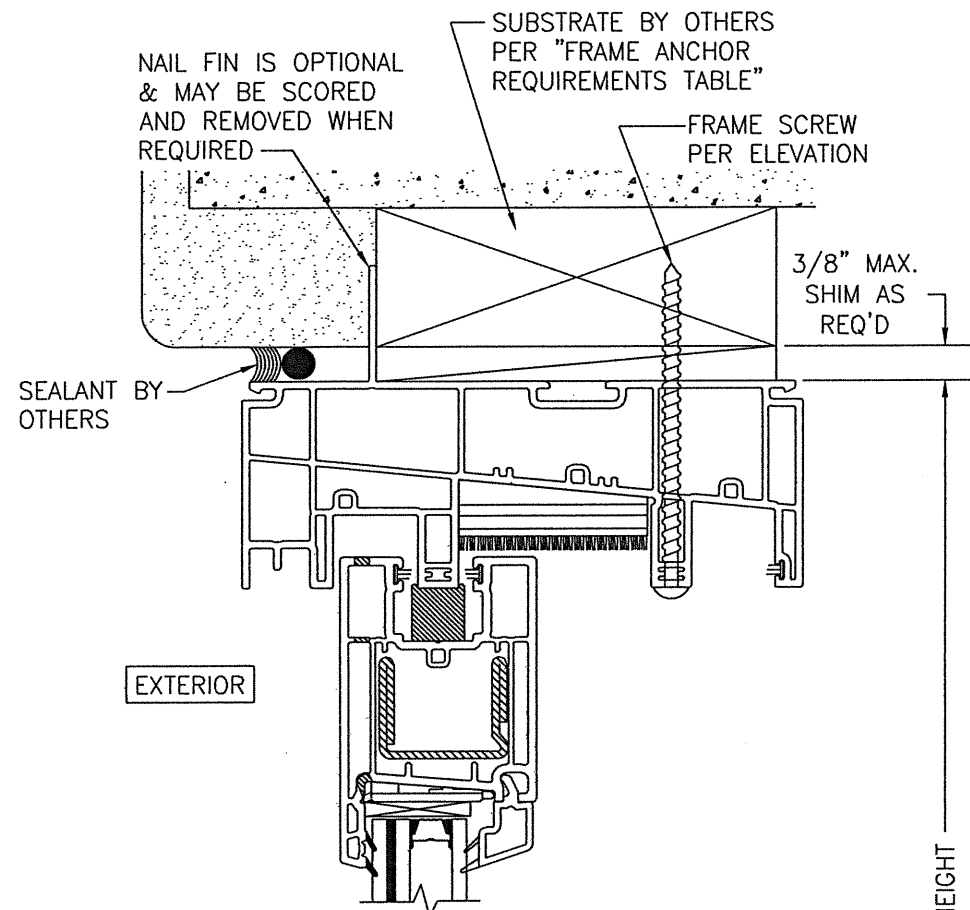
SCALE: 1/2" = 1'-0"

<p><b>ALLOWABLE DESIGN PRESSURE</b> (4-PANEL DOOR)</p> <p>+40/-45 PSF</p>
---

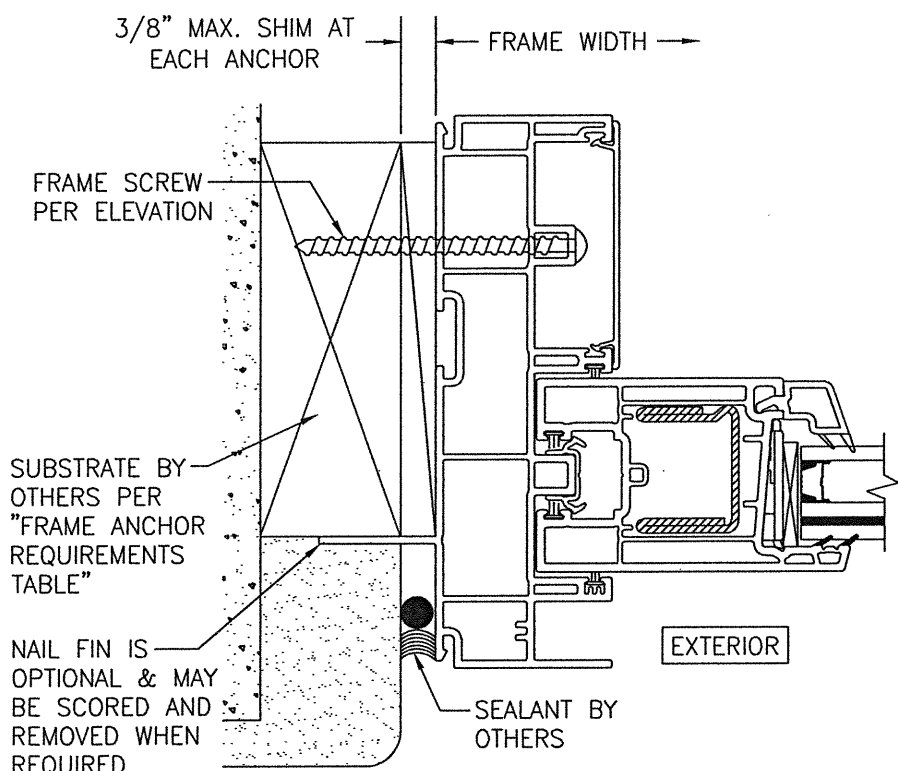
(4-PANEL OXO IS SHOWN. 3-PANEL OXO, OOX & XOO ALSO APPLY WITH THE SAME INSTALLATION & DESIGN PRESSURE REQUIREMENTS. NOTE THAT WITH OOX & XOO DOORS, JAMB STRIKE SCREWS SHALL APPLY AT THE SLIDING PANEL JAMB AS SHOWN IN THE 2-PANEL DOOR ELEVATION)

DRAWN BY: W.W.S.		CHECKED BY: W.W.S.	
PLOT: 1=24		DATE: 01/26/22	
NO.	REVISION DESCRIPTION	BY	DATE
<p>DRAWING TITLE: <b>FORGENT SERIES IMPACT SLIDING PATIO DOORS</b></p> <p>CONSULTANTS: <b>W. W. SCHAEFER ENGINEERING &amp; CONSULTING, P.A. (CA 6809)</b> 7480 150TH COURT NORTH PALM BEACH GARDENS, FL 33418 PHONE: 561-744-3424</p> <p>JOB INFORMATION: <b>KOLBE WINDOWS &amp; DOORS</b> 1211 DEPOT STREET MANAWA, WI 54949 (920) 596-2501</p>			
<p>CERTIFICATION</p> <p><b>FEB 03 2022</b></p> <p>WARREN W. SCHAEFER P.E. NO. 44135</p>		<p>WARREN W. SCHAEFER, P.E. P.E. NO. 44135</p>	
DRAWING NO. <b>2007A</b>		REV.	
SHEET NO. <b>2</b>		OF <b>3</b>	

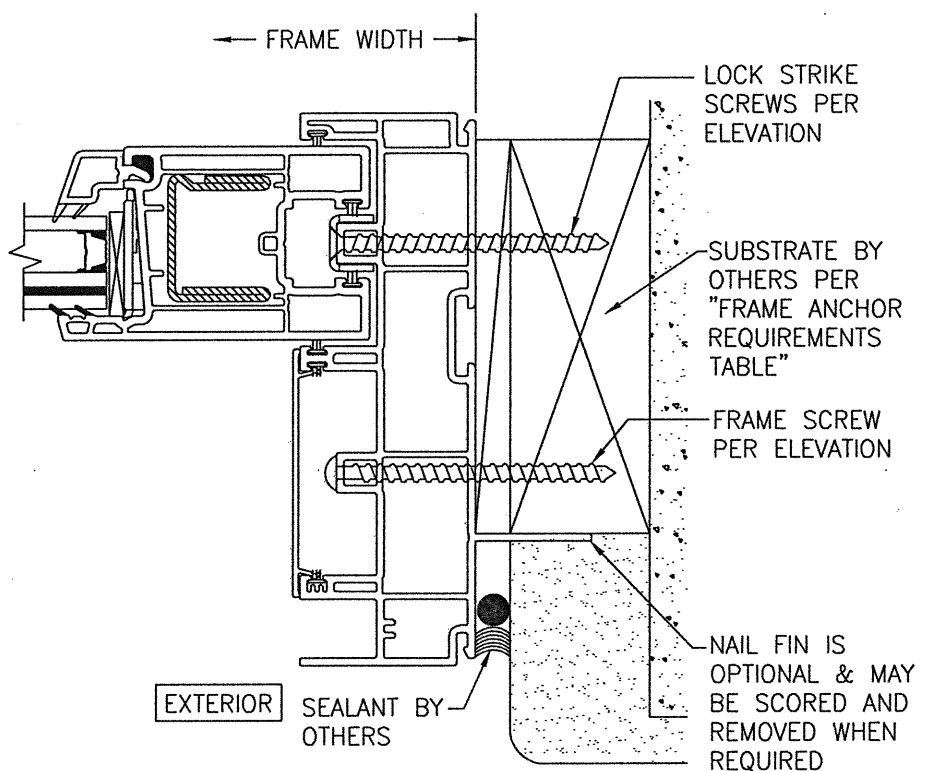




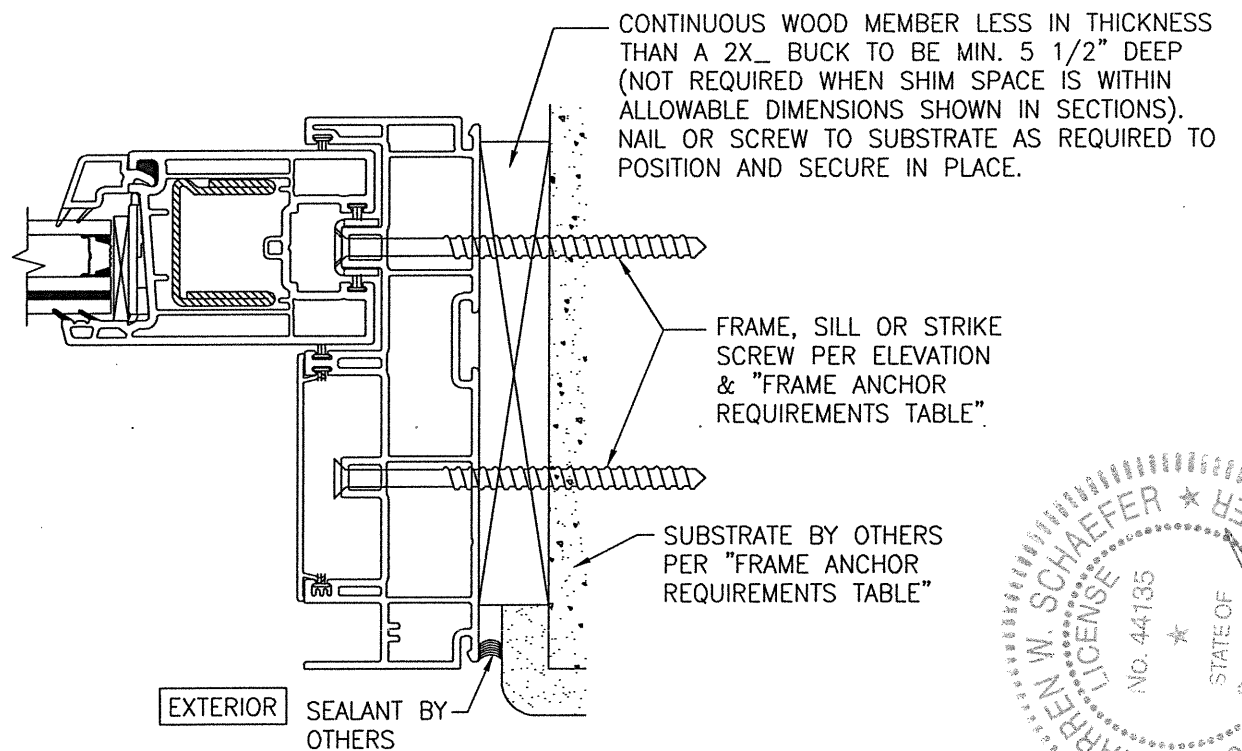
SECTION A  
SCALE: 3/4 FULL



SECTION B  
SCALE: 3/4 FULL

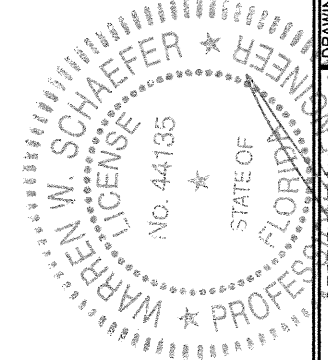


SECTION C  
SCALE: 3/4 FULL



**OPTIONAL DIRECT MOUNT DETAIL TO SUBSTRATE WITH SPACER**

(LOCK JAMB SECTION SHOWN; HEAD, SILL & FIXED SIDE JAMB ARE INSTALLED THE SAME)



DRAWN BY: W.W.S.		CHECKED BY: W.W.S.	
PLOT: 1=2		DATE: 01/26/22	
NO.	REVISION DESCRIPTION	DATE	BY
<b>FORGENT SERIES IMPACT SLIDING PATIO DOORS</b> MANUFACTURER <b>KOLBE WINDOWS &amp; DOORS</b> 1211 DEPOT STREET MANAWA, WI 54949 (920) 596-2501			
CONSULTANTS <b>W. W. SCHAEFER ENGINEERING &amp; CONSULTING, P.A. (CA 6809)</b> 7480 150TH COURT NORTH PALM BEACH GARDENS, FL 33418 PHONE: 561-744-3424			
DRAWING TITLE		CERTIFICATION	
FORGENT SERIES IMPACT SLIDING PATIO DOORS		FEB 03 2022	
DRAWING NO. 2007A		REV. 3 OF 3	
SHEET NO. 3		P.E. NO. 44135	